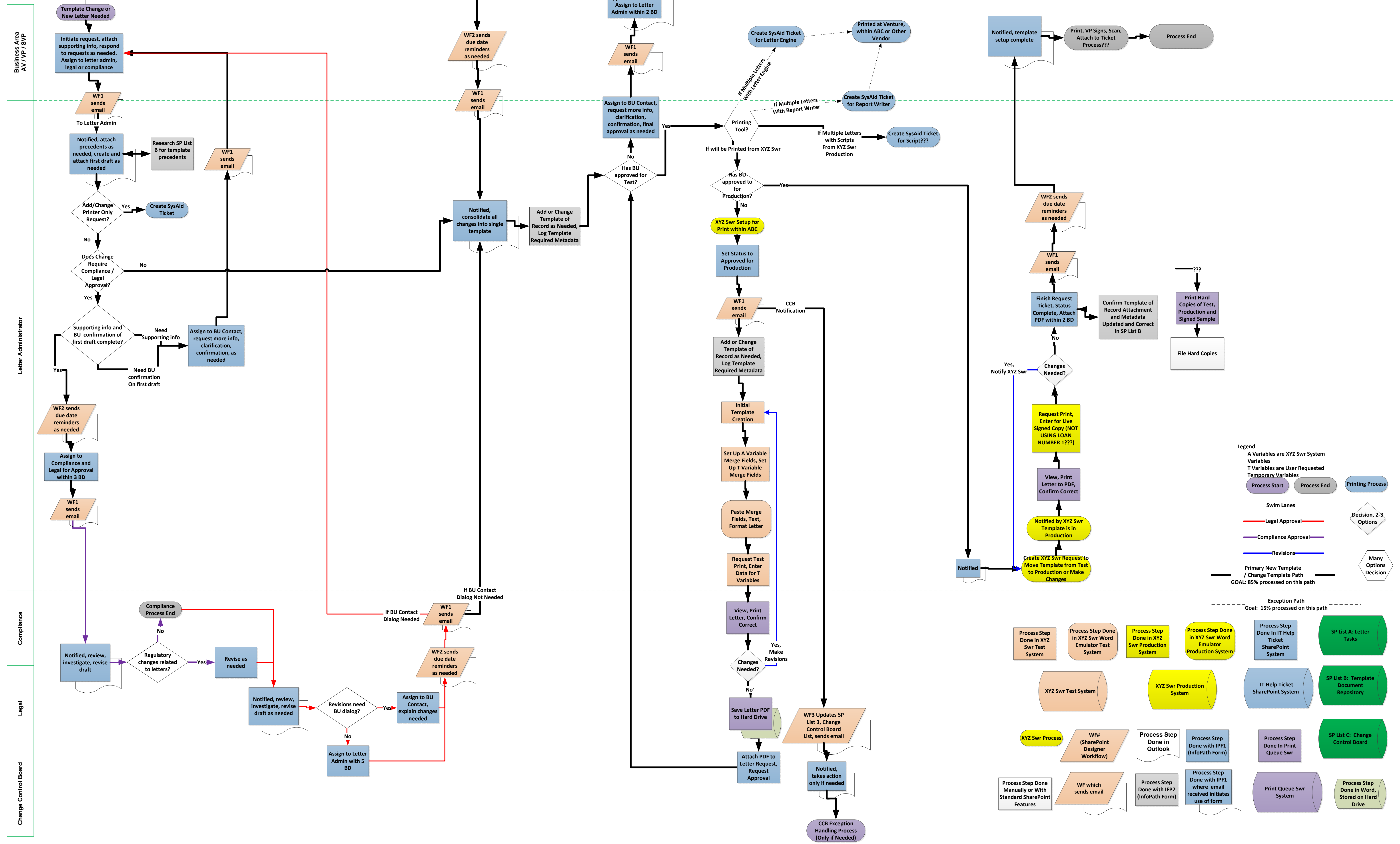


Letter Administration - XYZ Swr Last Updated: 8/27/2013 Filename: SwimlaneLetterAdministrationXYZSwrTOBEV4Redacted.vsd



Legend

- A Variables are XYZ Swr System Variables
- T Variables are User Requested Temporary Variables
- Process Start
- Process End
- Printing Process
- Swim Lanes
- Decision, 2-3 Options
- Legal Approval
- Compliance Approval
- Revisions
- Primary New Template / Change Template Path
- Many Options Decision

Exception Path
Goal: 15% processed on this path

- Process Step Done in XYZ Swr Test System
- Process Step Done in XYZ Swr Word Emulator Test System
- Process Step Done in XYZ Swr Production System
- Process Step Done in XYZ Swr Word Emulator Production System
- Process Step Done in IT Help Ticket SharePoint System
- SP List A: Letter Tasks
- XYZ Swr Test System
- XYZ Swr Production System
- IT Help Ticket SharePoint System
- SP List B: Template Document Repository
- XYZ Swr Process
- WF# (SharePoint Designer Workflow)
- Process Step Done in Outlook (InfoPath Form)
- Process Step Done with IPF1 (InfoPath Form)
- Process Step Done In Print Queue Swr
- SP List C: Change Control Board
- Process Step Done Manually or With Standard SharePoint Features
- WF which sends email
- Process Step Done with IPF2 (InfoPath Form)
- Process Step Done with IPF1 where email received initiates use of form
- Print Queue Swr System
- Process Step Done in Word, Stored on Hard Drive